



INSTALLATION GUIDE

BBT034/ BBC034/ BBCD034 VOLKSWAGEN AMAROK



- Ironman 4x4 BBT/ BBC/ BBCD034 Bull Bars fit to a Volkswagen Amarok.
- It will take about 3 hours to install.

IMPORTANT - If your vehicle has front parking sensors and you wish to refit them, refer to drilling diagram on back page of instruction manual.

NOTE: This product has been tested for air bag compatibility and therefore the mounting system MUST NOT be modified

IMPORTANT: Bull Bar installations should only be done by a qualified person and it is the responsibility of this person to ensure correct fitment.

1. Before installation check bull bar application is compatible with your vehicle.

2. Remove bumper bar, grill, bumper bar reinforcement and horns.



3. Remove flares from ends of bumper bar.

4. Mask a straight line level with the top of the lower grill opening in the bumper, across the top of the fog light housing to the ends of the bumper as shown.



5. Using an air hack saw or similar, cut along the line previously marked to remove the lower section of the bumper.



6. Mask a line down the bumper ends where the edges of the flares contact the bumper.



7. Place bumper cutting templates onto the ends of the bumper, mark and remove sections as shown.

Note: Cutting templates can be found on the last pages of the fitting manual.



8. Remove ambient air temperature sensor and fit to plastic panel as shown.



9. Place chassis bracket in position on chassis and mark location of all mounting holes onto front cross member. Remove chassis bracket and drill all holes to 12.5mm.



7 x Holes will need to be drilled to 12.5mm in front cross member

10. Refit chassis bracket and secure in place using M12 hardware provided.



11. Using outer mounting holes of chassis bracket as a guide, drill four outer holes in front cross-member and fit inner and outer reinforcing brackets to chassis as shown.



NOTE: Nut, flat washer and spring washer between bracket and crossmember.



12. Refit horns as shown.



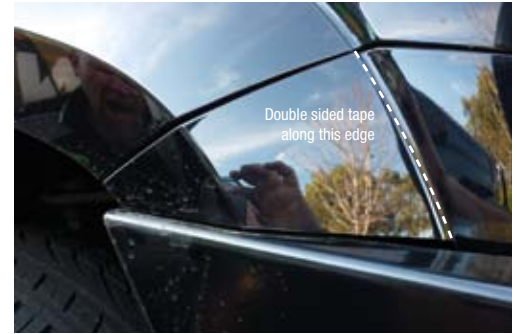
13. Refit plastic bumper reinforcement and top section of bumper bar.



14. Using flare cutting templates, mark and cut flares previously removed from the bumper bar.



15. Refit small sections of flare removed in previous step (Using factory screws and double sided tape provided) along the edge of flare that contacts the bumper.



16. Trim mud guard liners as shown.



17. If winch is being installed, refer to winch installation instructions pages 7 - 13.

18. Unwrap bull bar. Check over riders and light assemblies are tight in bull bar before installation.

19. Fit bull bar to chassis bracket using M12 hardware provided. Align bar with vehicle and tighten all bolts.

20. Once bar is aligned with vehicle and tightened, drill through pinning holes between bull bar and chassis bracket and secure with bolts, washers and nuts provided.



21. Connect park lights, indicators and fog lights as per wiring diagrams at the back of instruction manual.

22. Fit protection plates to underneath of bull bar using M8 bolts, spring washers and flat washers into bull bar.



Winch Installation

IMPORTANT: Before winch is installed to winch cradle, the clutch handle will need to be rotated to a more convenient position for access through bull bar.

1. Stand winch vertically on motor with gearbox facing upwards.



2. Undo and remove 2 chrome Allen head bolts which hold the gearbox to the tie rods.



3. Lift gearbox off winch.



NOTE: If shaft comes out of cable drum remove it from the gearbox and place it back into the drum making sure it engages with the brake.



NOTE: Also make sure that the drum support bush remains in the end of the drum support housing with the locating tang in the correct position.



4. Undo and remove 10 Allen head bolts that hold the gearbox housing to the drum support housing and rotate the drum support housing to the desired location.

For most Ironman 4X4 bull bars the gearbox will need to be rotated 2 holes in an anti clockwise direction. Make sure the gearbox gasket does not tear.



5. Re-install 10 bolts and tighten firmly.
NOTE: Take care not to over-tighten.



6. Refit gearbox to winch, refit and tighten Allen head bolts into tie rods.



7. Bolt winch to cradle with gearbox to the left hand side of vehicle and cable spooling from bottom of the cable drum using bolts and washers provided.



8. Bolt roller fairlead to recess in front of bull bar using bolts, washers and nuts provided.



9. Fit bull bar to vehicle referring to steps 18 - 22 of bull bar fitting instructions.

10. If winch control box is being fitted to top of bull bar remove control box bracket from control box.

11. Place control box on top of centre pan of bull bar with socket for hand controller facing outwards from vehicle. Mark position of the four mounting bolts.

Drill four holes to 6.5mm. Rust proof and de burr and attach control box to bar.



12. Connect three colour coded cables to the corresponding poles on winch motor.



13. Connect the thin black earth wire and negative battery cable to the earth connection on the opposite side of winch motor.



14. Run the positive and negative battery cables into the engine bay taking care to secure cables away from any sharp or moving objects.

Connect negative battery cable to the main battery.

15. Find a convenient location close to main battery to mount battery isolation switch.

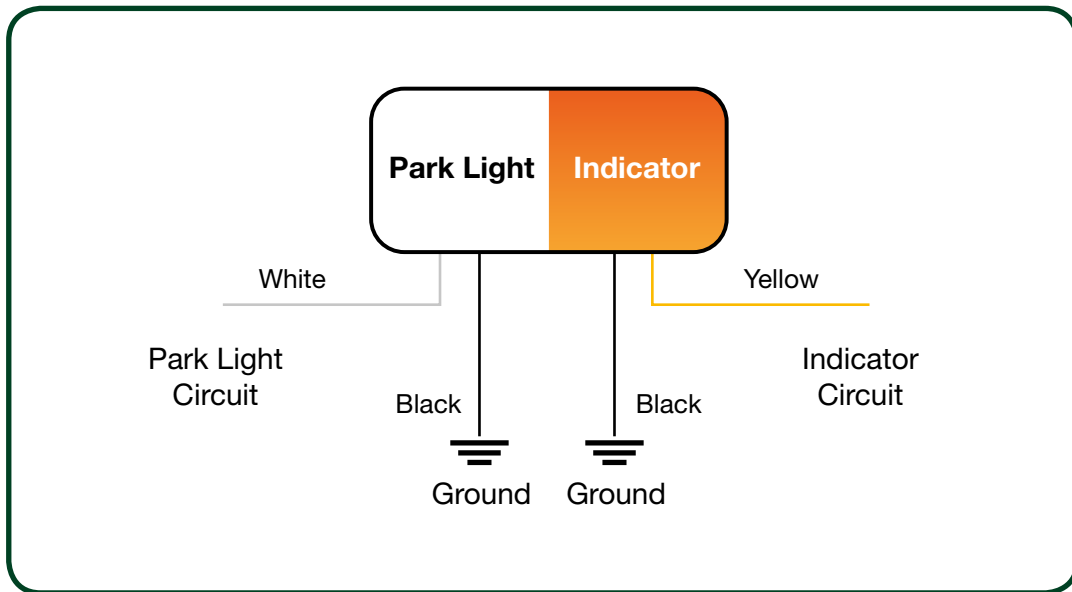
Connect positive battery cable to one side of isolation switch and connect other side to the positive battery terminal of main battery.



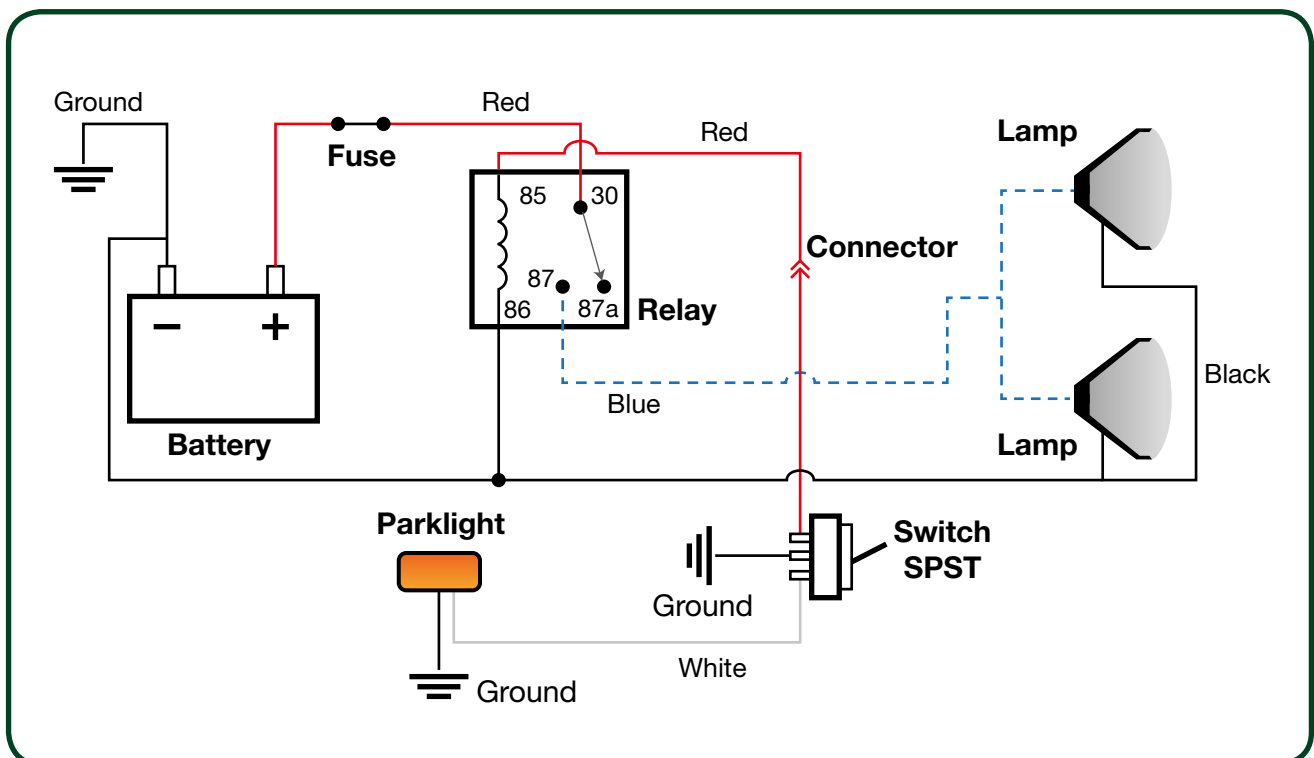
16. Once completed, refer back to step 21 of bull bar fitting instructions.

Wiring Diagrams

PARK LIGHT & INDICATOR



FOG LIGHTS



**VOLKSWAGEN AMAROK
IRONMAN 4X4 BULLBAR
BUMPER CUTTING TEMPLATE**

+61 3 9532 1111
1300 731 137

www.ironman4x4.com

CUT
FLARED MODEL ONLY

NON-FLARED MODEL ONLY
CUT

LEFT SIDE

CUT OUT TEMPLATE

TOP CUT

WHEEL ARCH

PREVIOUS CUT

CUT
FLARED MODEL ONLY

NON-FLARED MODEL ONLY
CUT

RIGHT SIDE

CUT OUT TEMPLATE

TOP CUT

WHEEL ARCH

PREVIOUS CUT





**VOLKSWAGEN AMAROK
IRONMAN 4X4 BULLBAR
FLARE CUTTING TEMPLATE**

+61 3 9532 1111
1300 731 137

www.ironman4x4.com

