



Installation Instructions for IUP015R
Nissan Patrol Y61
Underbody Protection Plate

Radiator and Steering



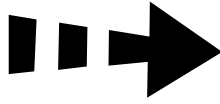
NISSAN Patrol (Y61; 3,0D; 4,8) **2005 - 2010** 

IUP015R

1/6



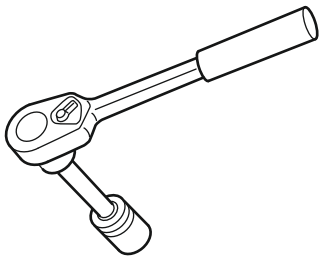
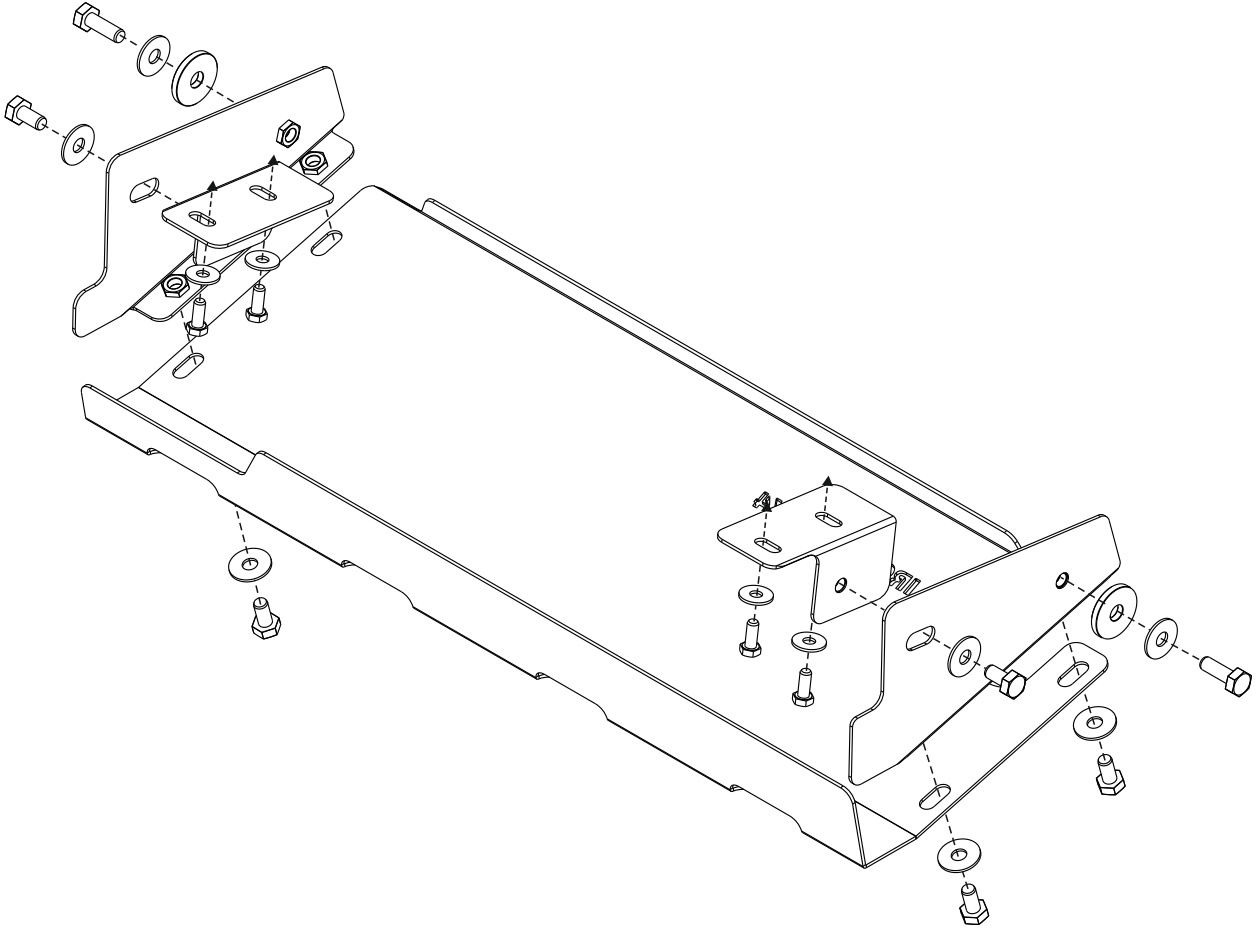
Location/Position Arrow



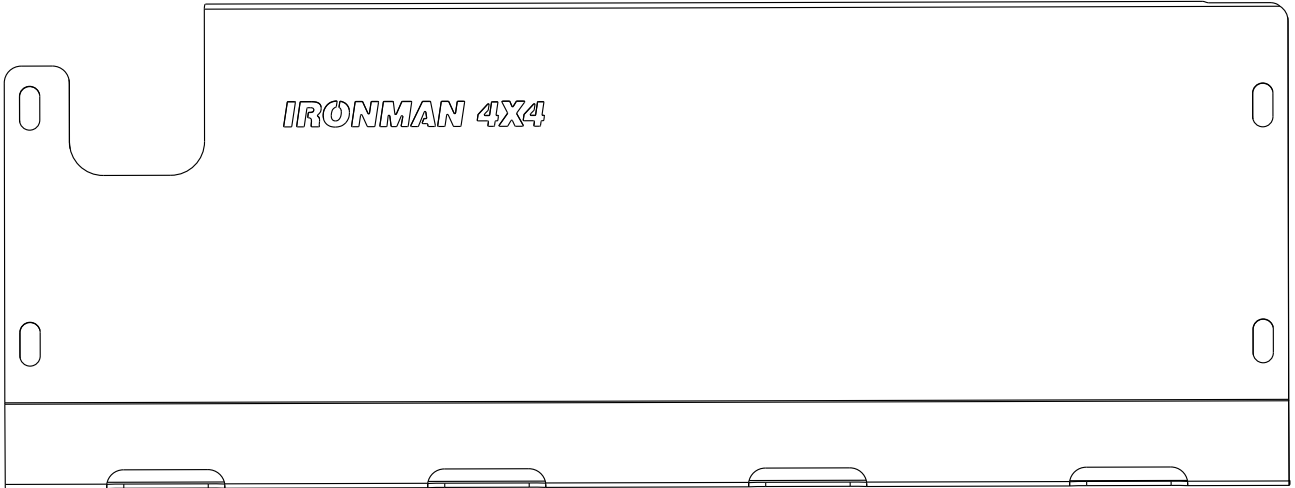
Movement Arrow



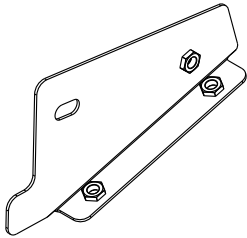
Screw Arrow



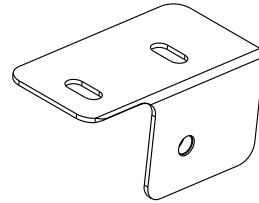
IUP015R

A

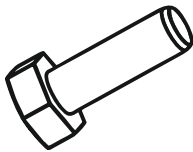
1X

B

2X

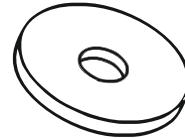
C

2X

D

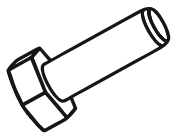
M10x30

2X

E

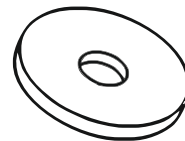
Unique Washer

2X

F

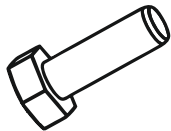
M10x20

6X

G

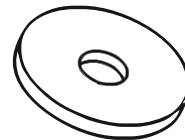
Ø 8

4X

H

M8x20

4X

I

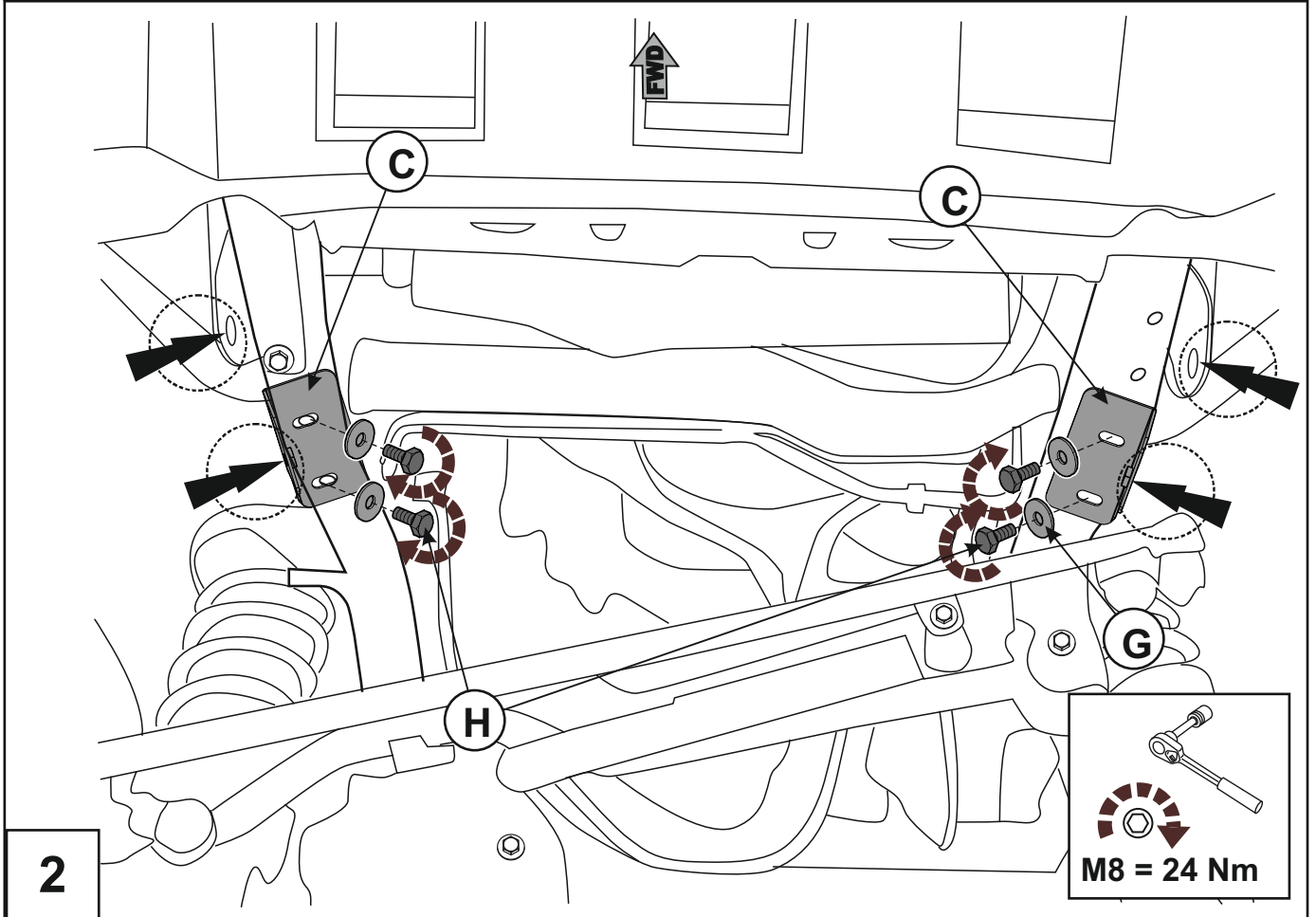
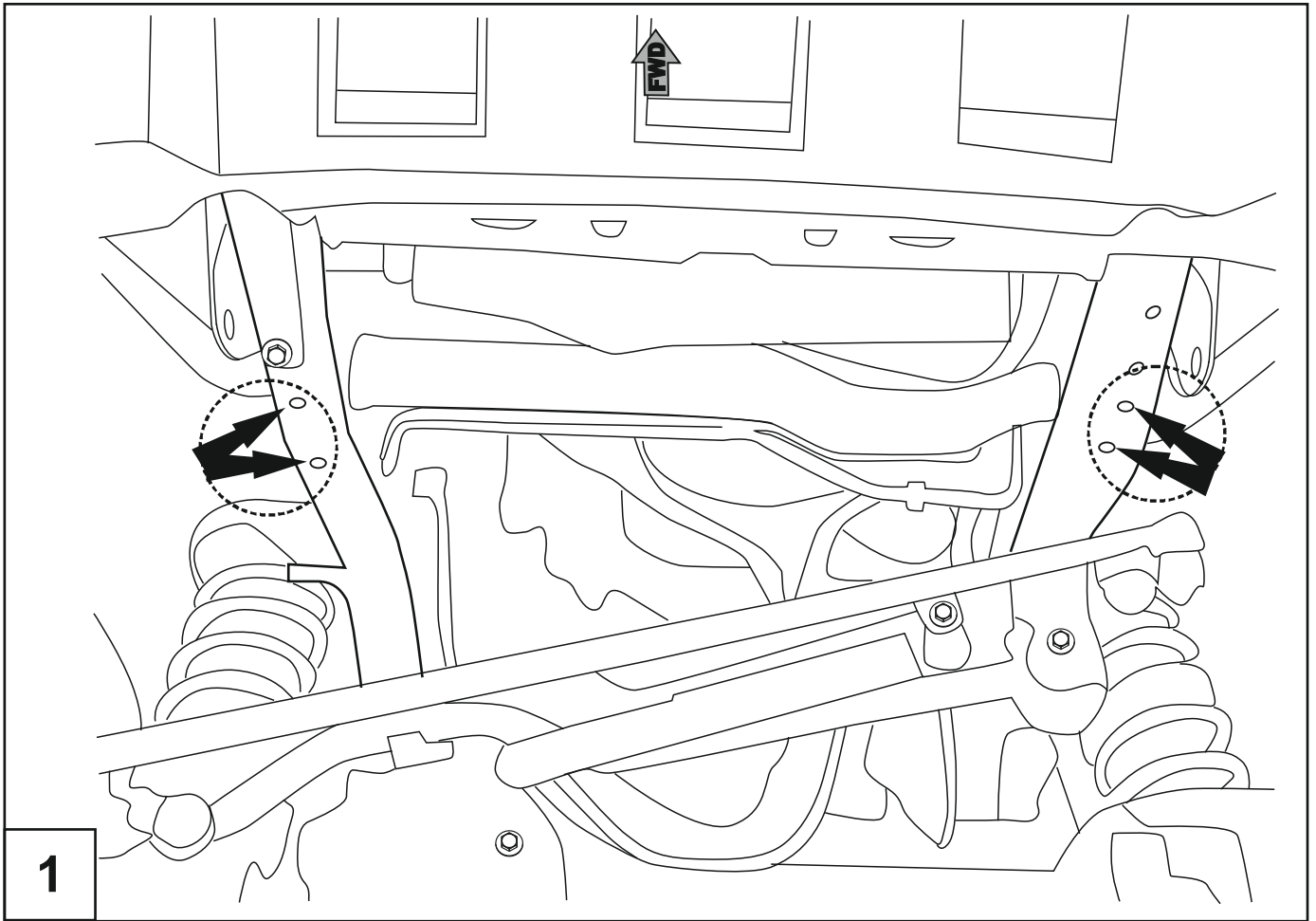
Ø 10

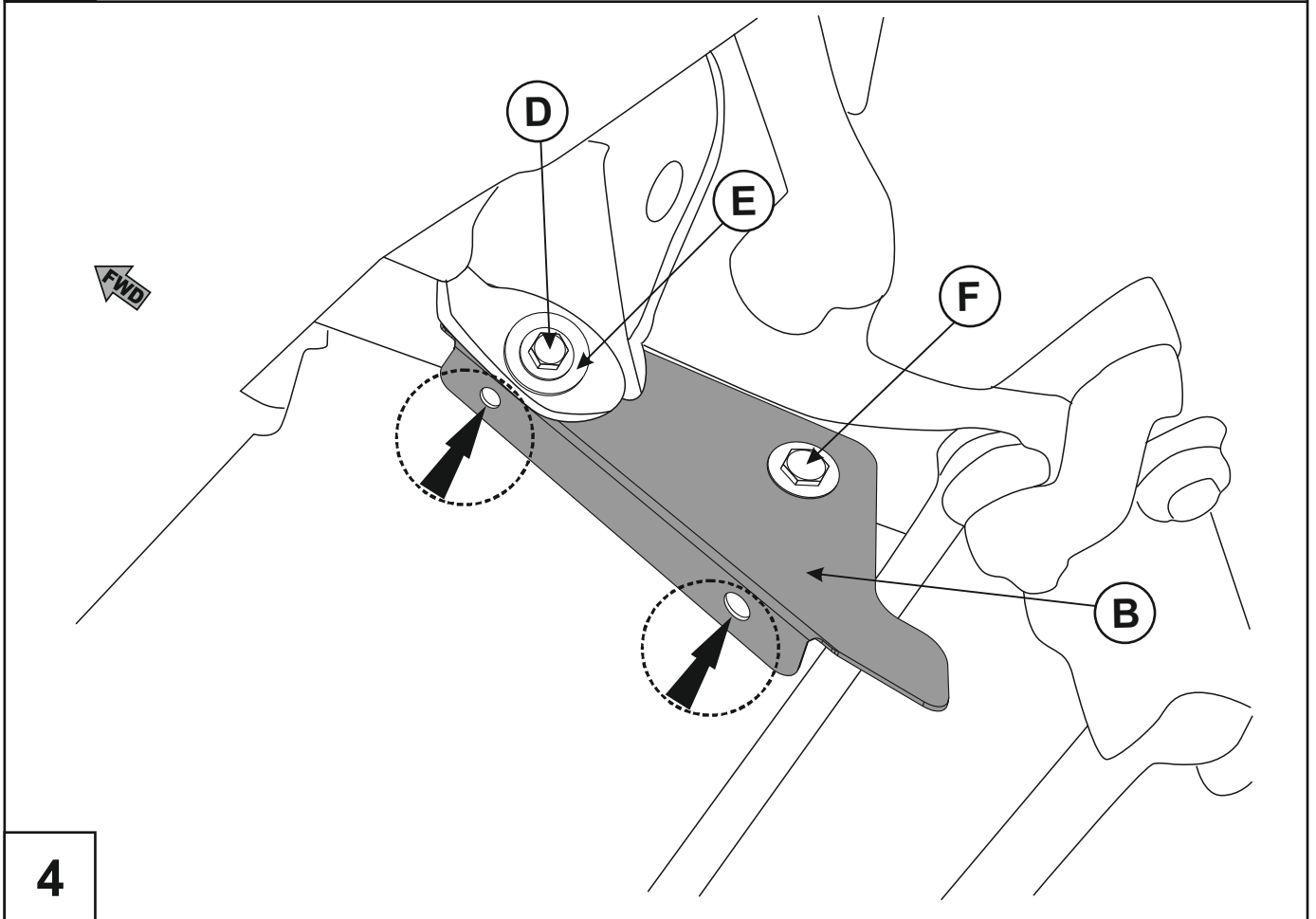
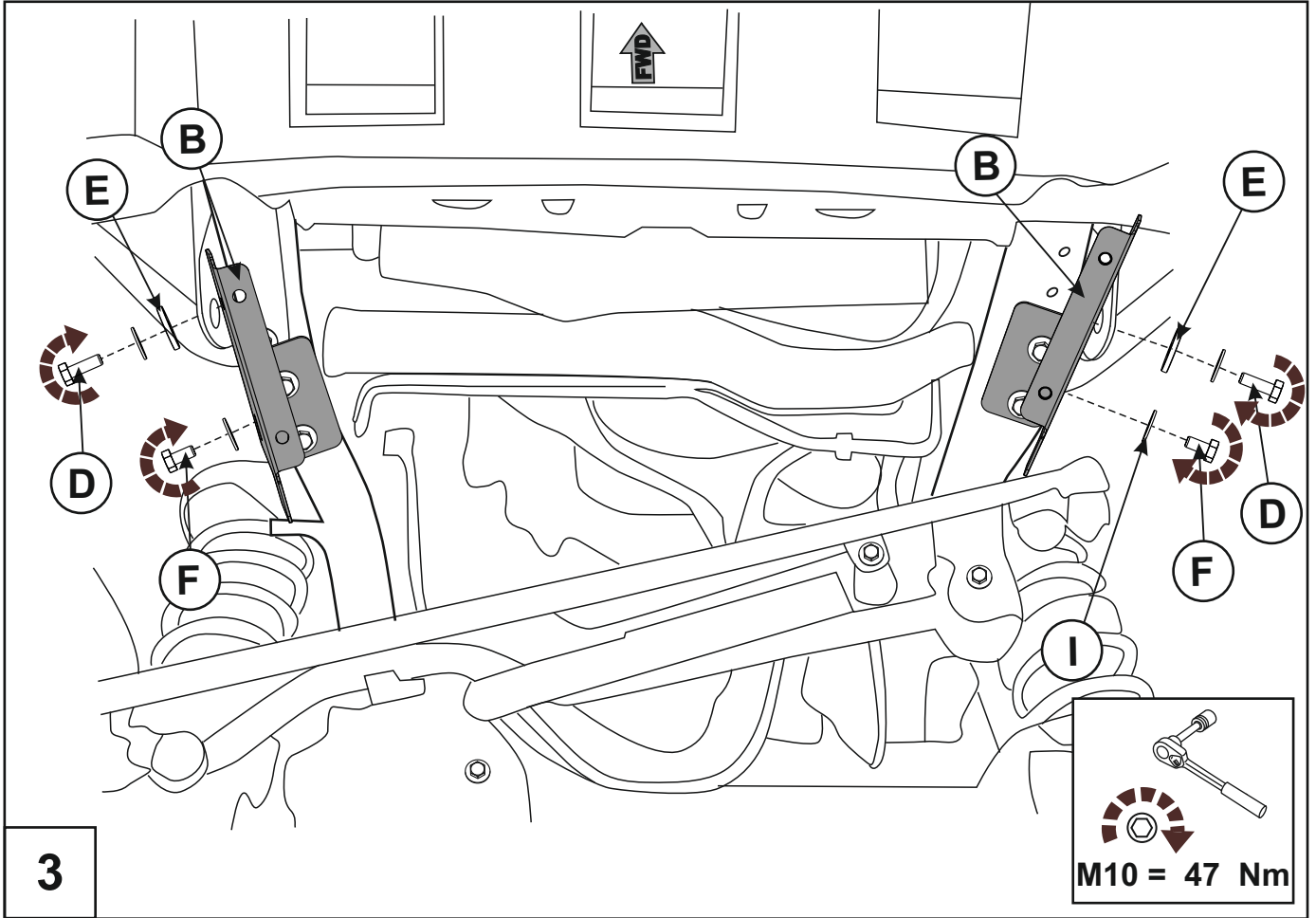
8X

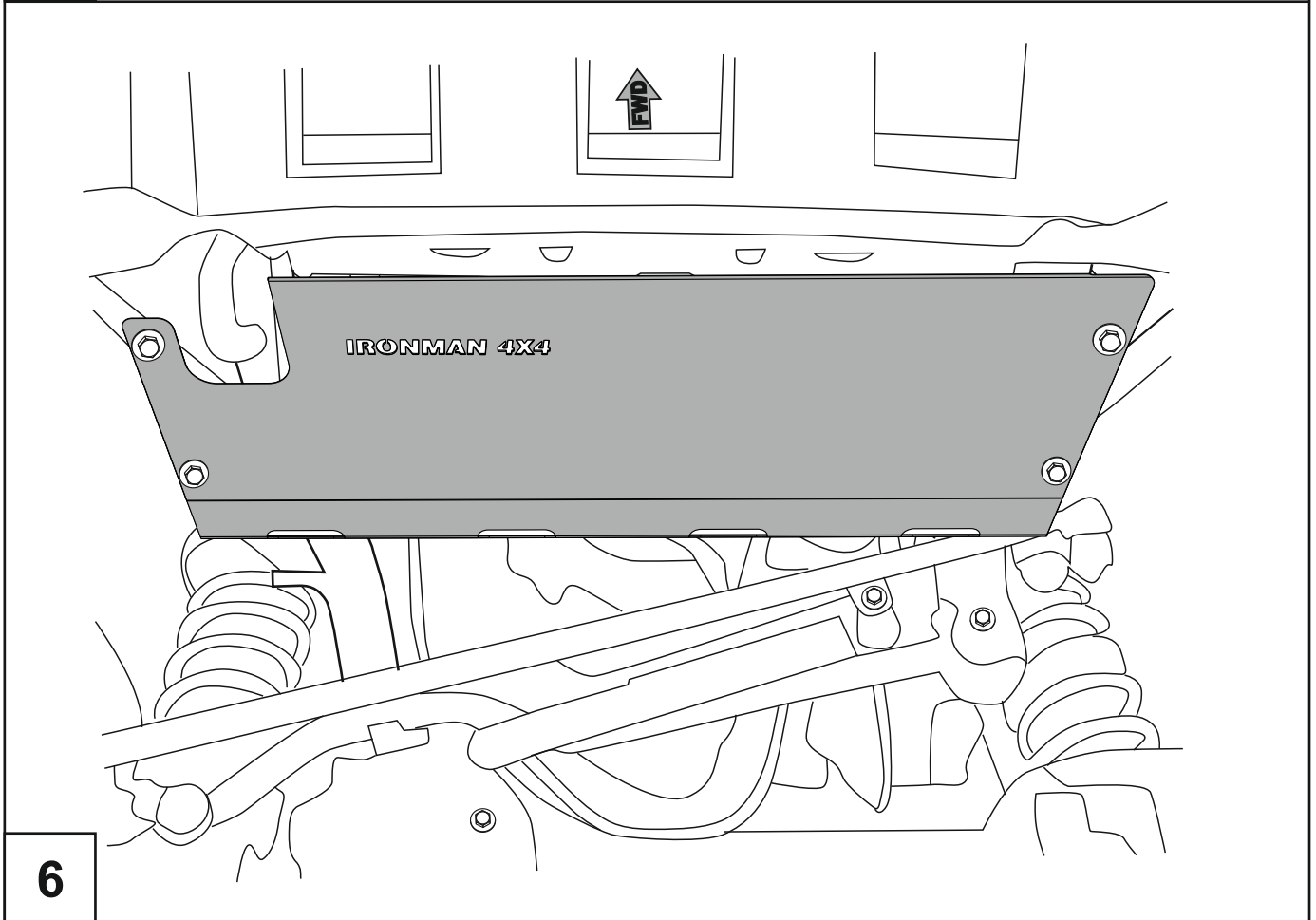
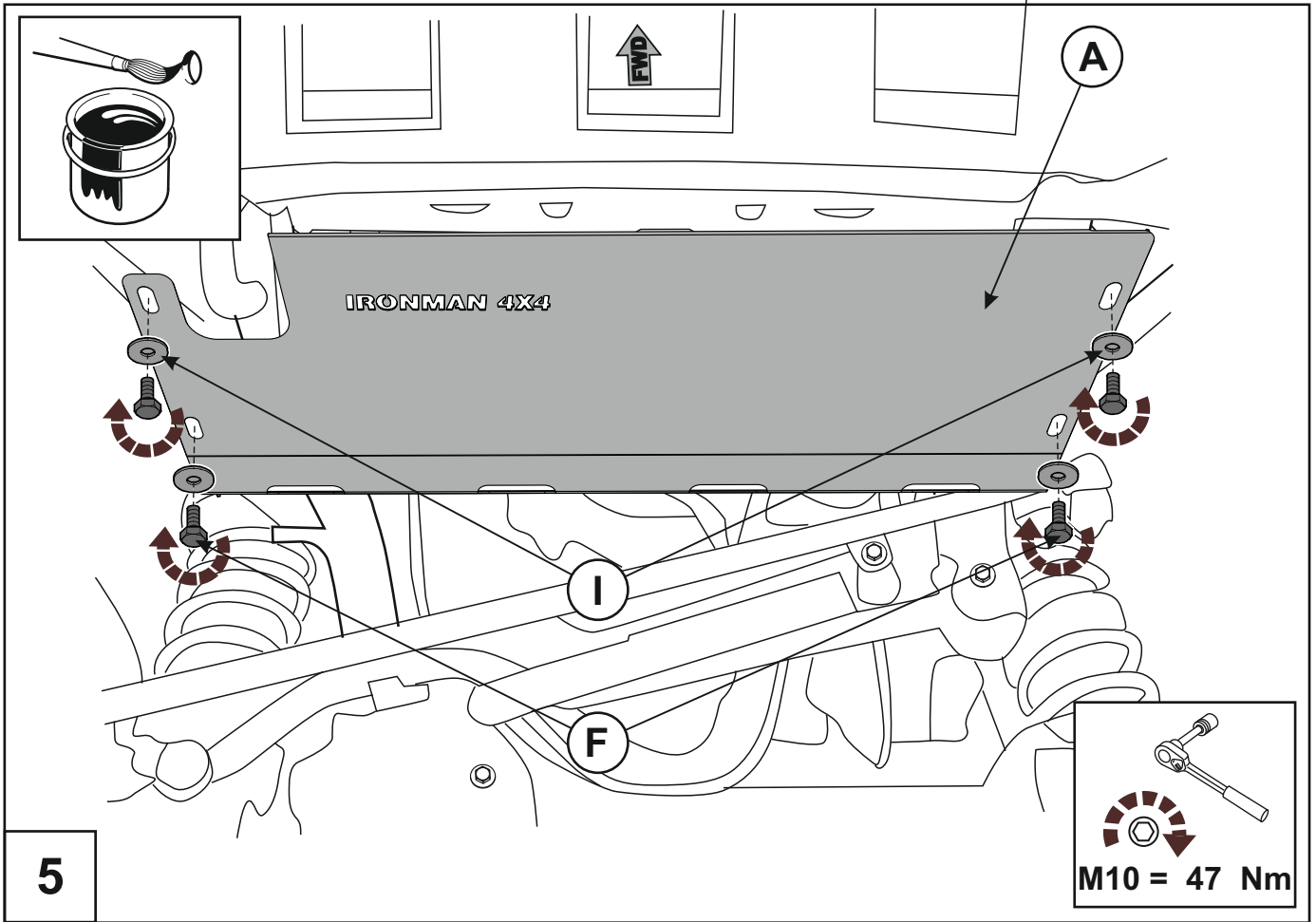


IUP015R

3/6









Installation Instructions for IUP015T
Nissan Patrol Y61
Underbody Protection Plate

Transmission

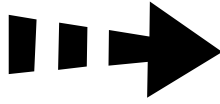


NISSAN Patrol (Y61; 3,0D; 4,8) **2005 - 2010** 

IUP015T			1/7
---------	--	--	-----



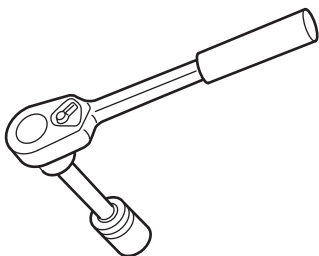
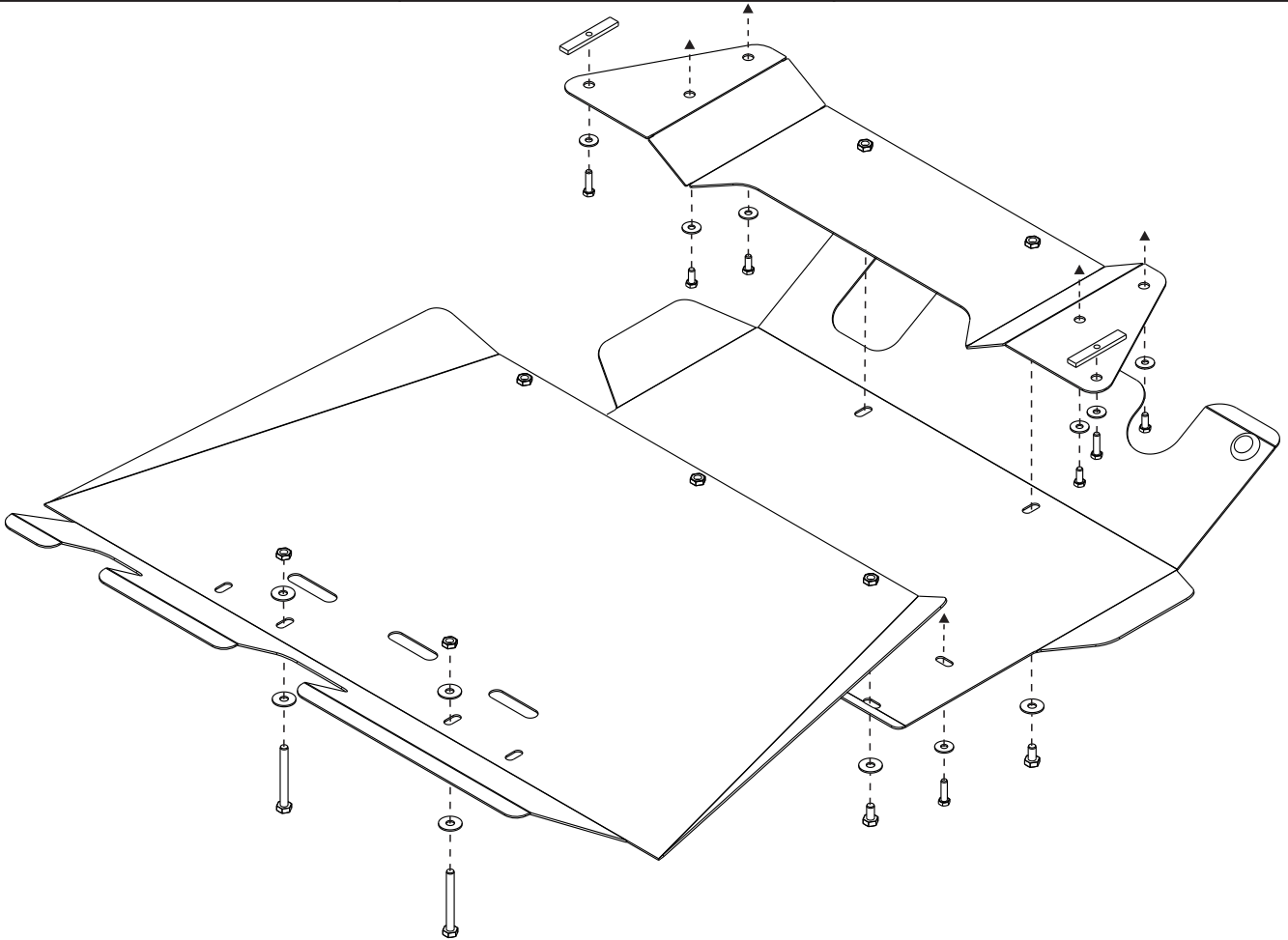
Location/Position Arrow



Movement Arrow



Screw Arrow



IUP015T

217

<p>A</p>		1X
		1X

<p>B</p>	<p>M10x90</p>	2X
-----------------	---------------	----

<p>C</p>		2X
-----------------	--	----

<p>D</p>	<p>M10x20</p>	5X
-----------------	---------------	----

<p>E</p>	<p>M10</p>	2X
-----------------	------------	----

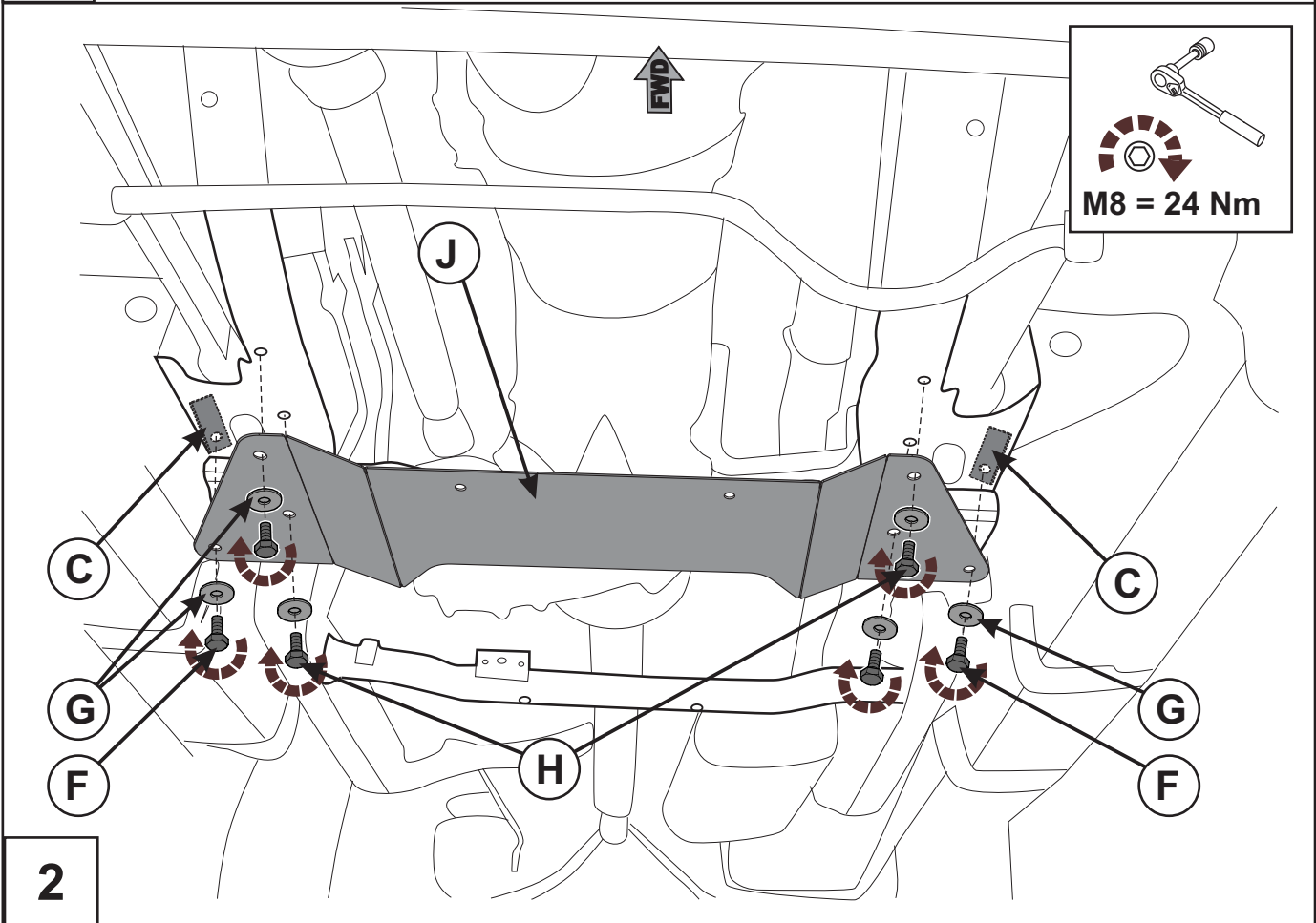
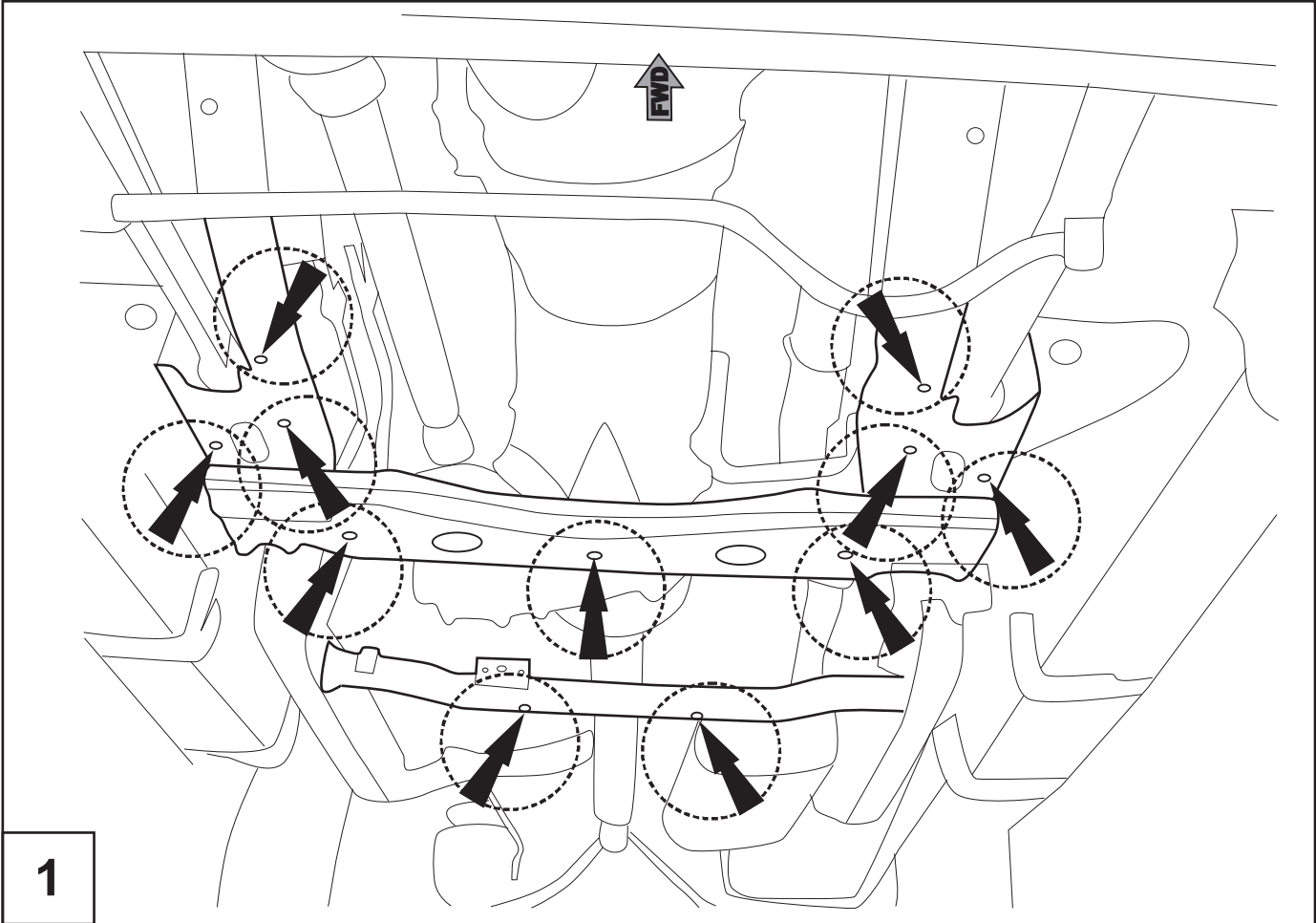
<p>F</p>	<p>M8x30</p>	5X
-----------------	--------------	----

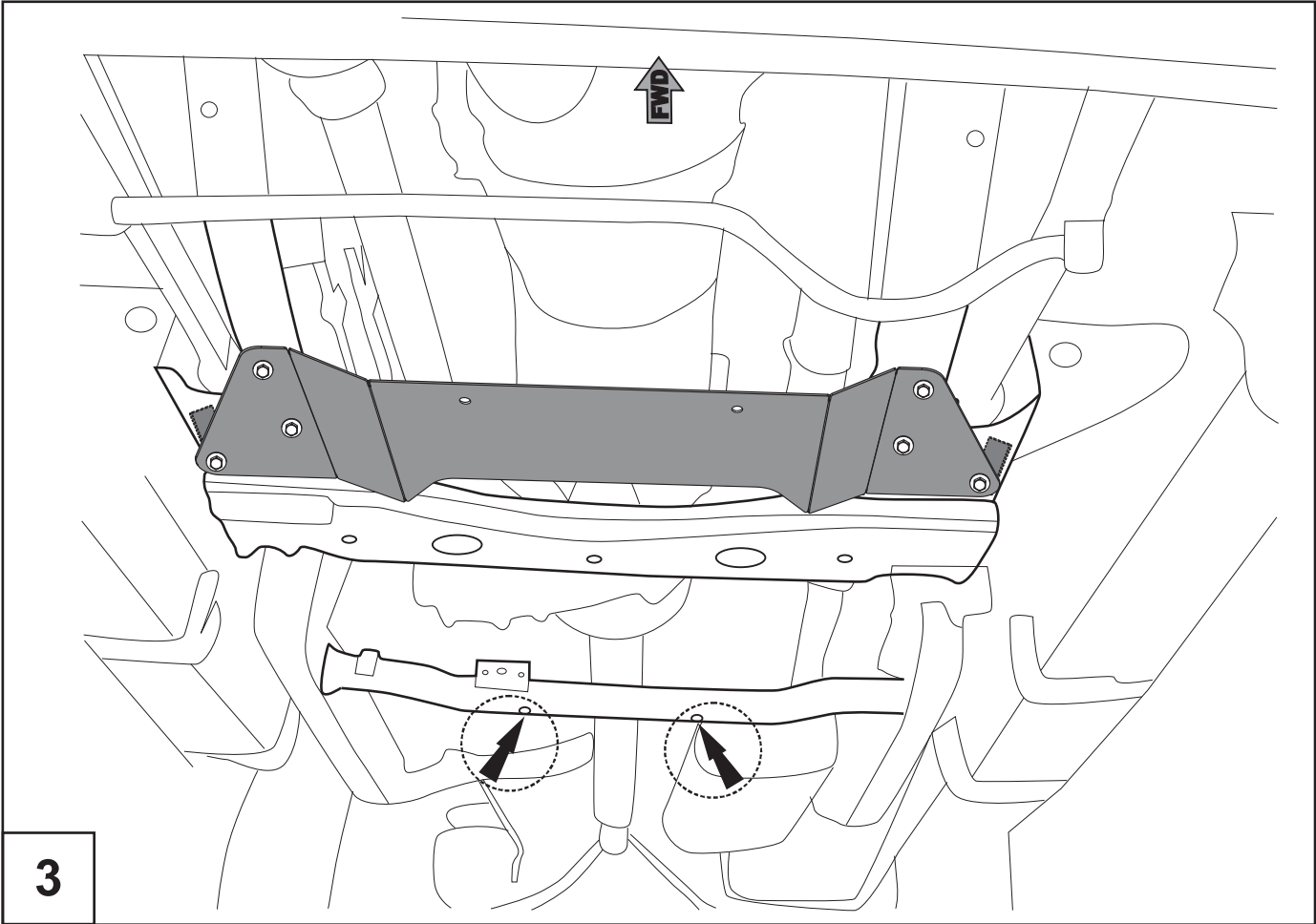
<p>G</p>	<p>∅ 8</p>	9X
-----------------	------------	----

<p>H</p>	<p>M8x20</p>	4X
-----------------	--------------	----

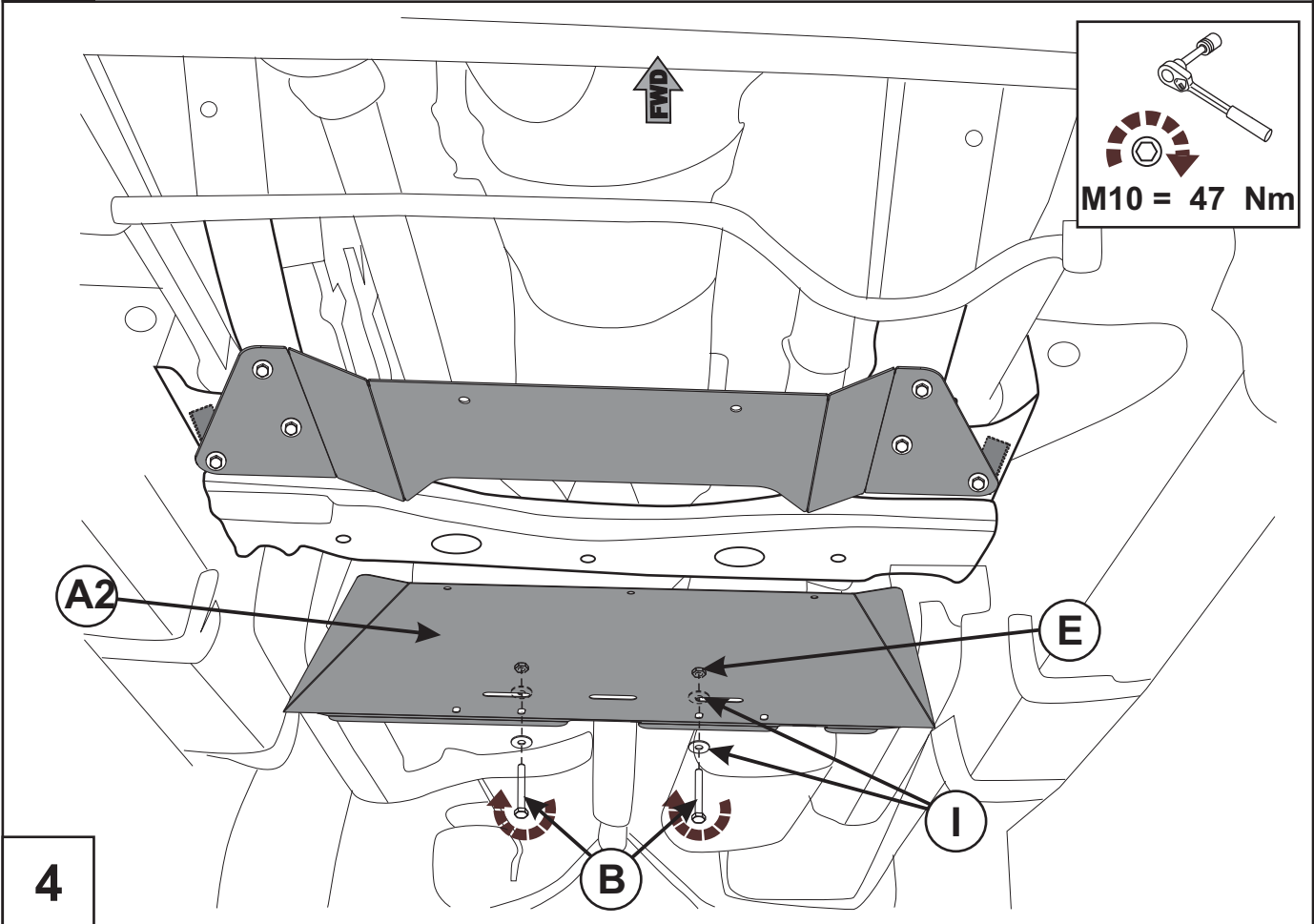
<p>I</p>	<p>∅ 10</p>	9X
-----------------	-------------	----

<p>J</p>		1X
-----------------	--	----





3

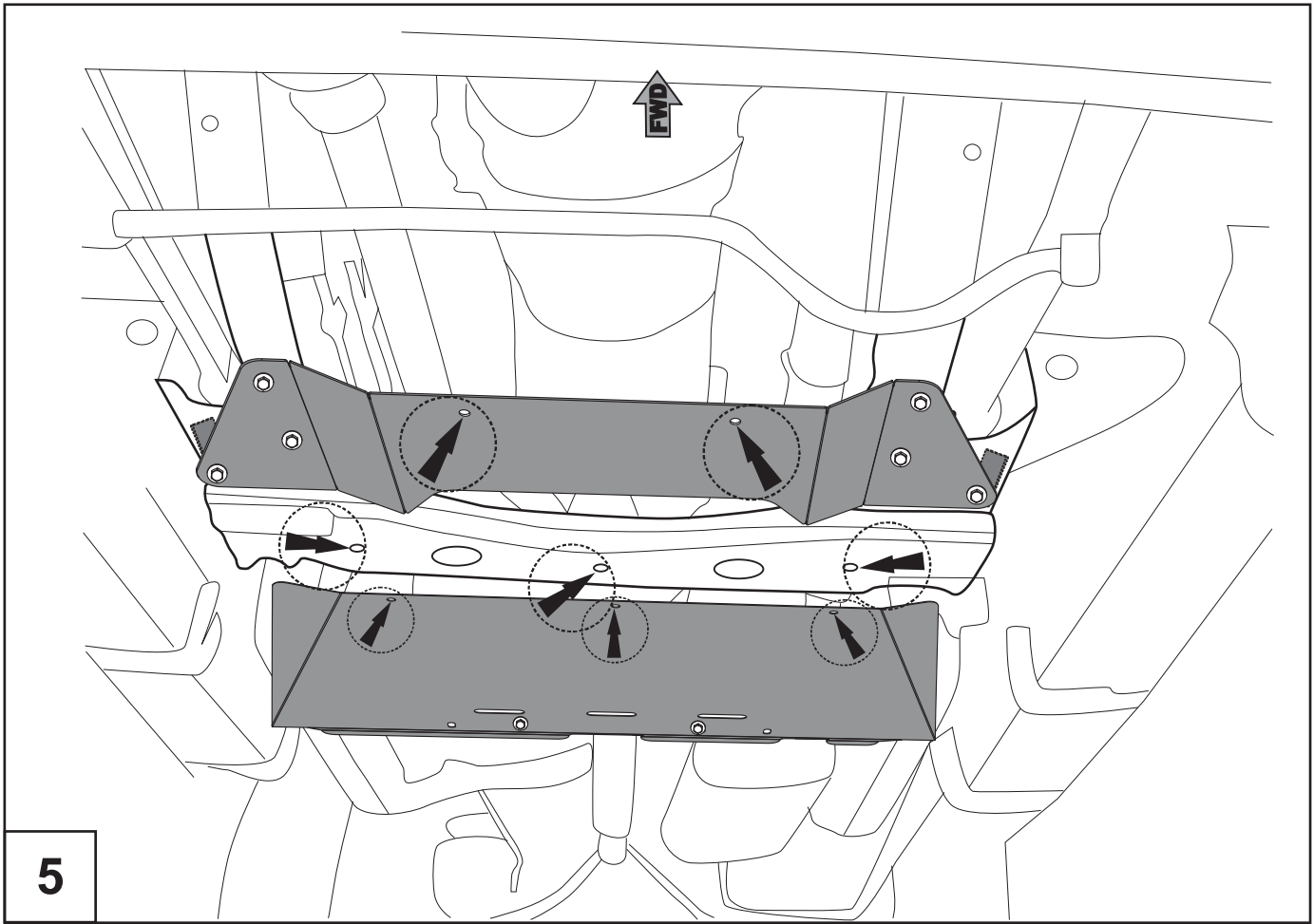


4

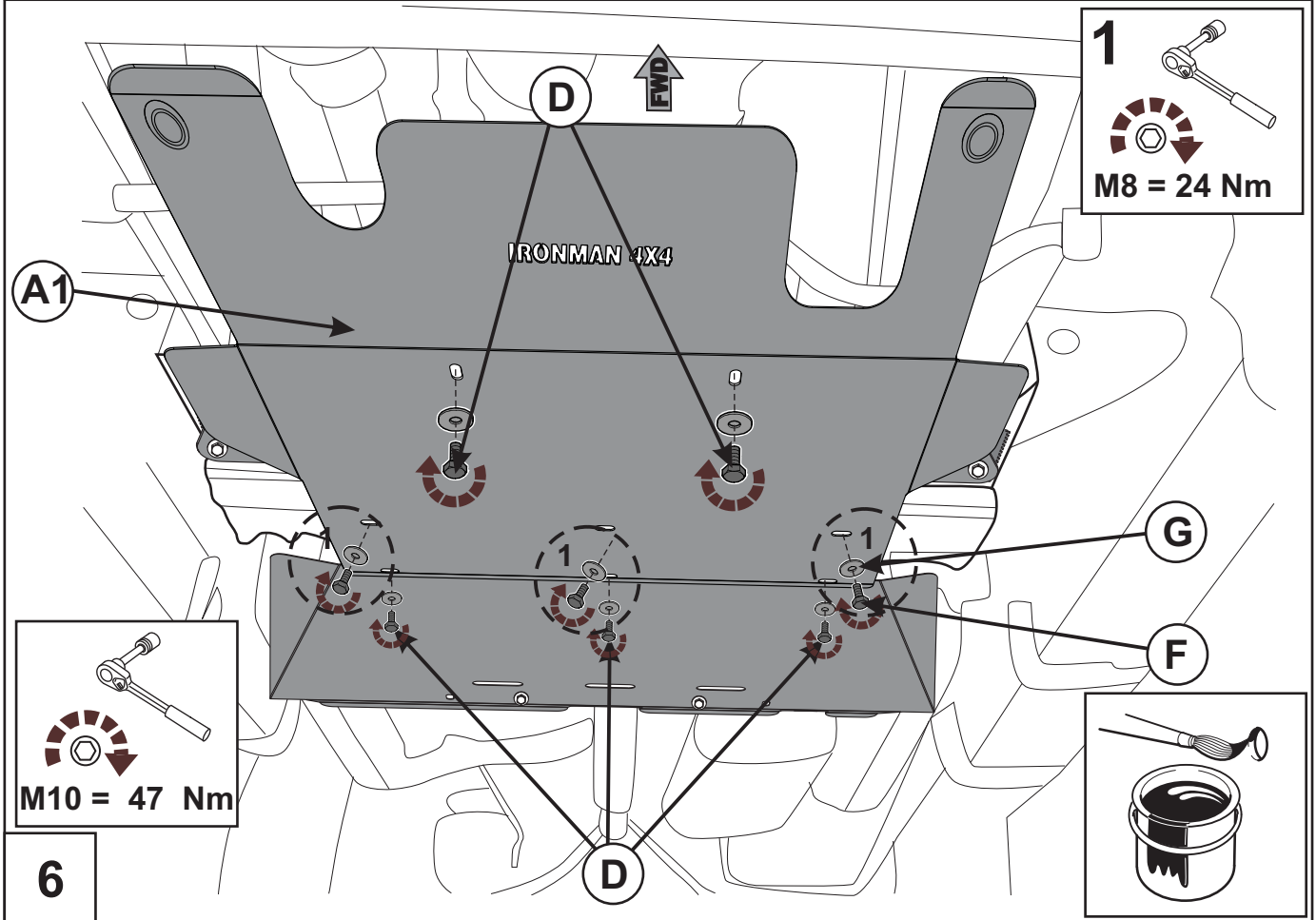


IUP015T

5/7



5

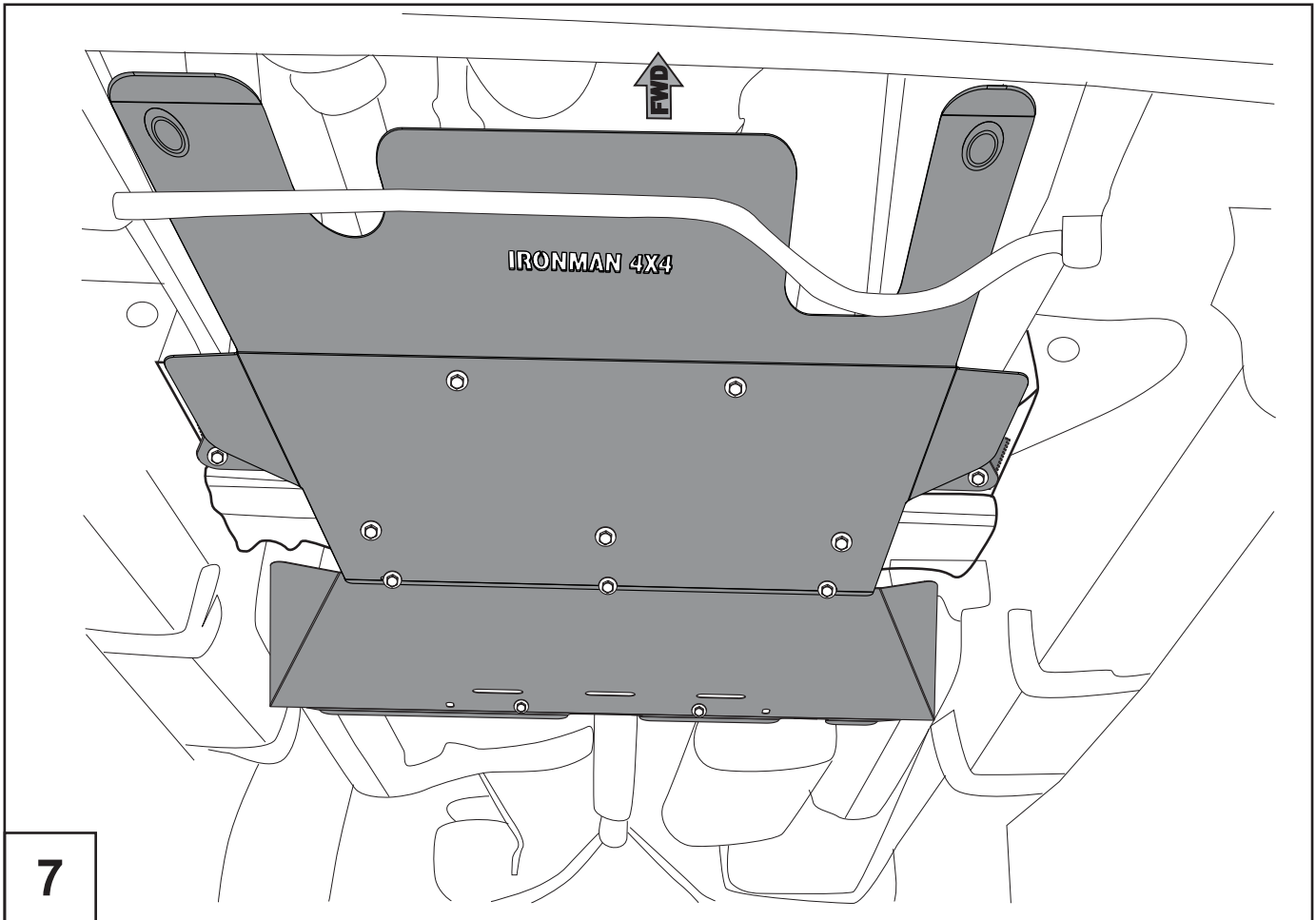


6



IUP015T

6/7



7



IUP015T

717